

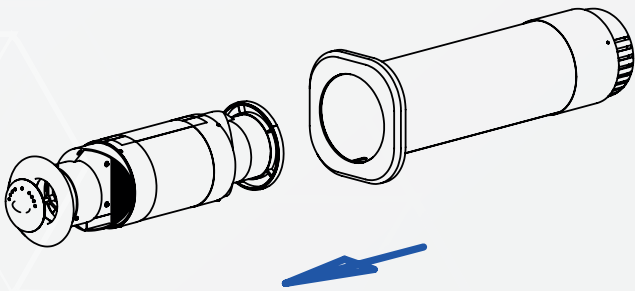
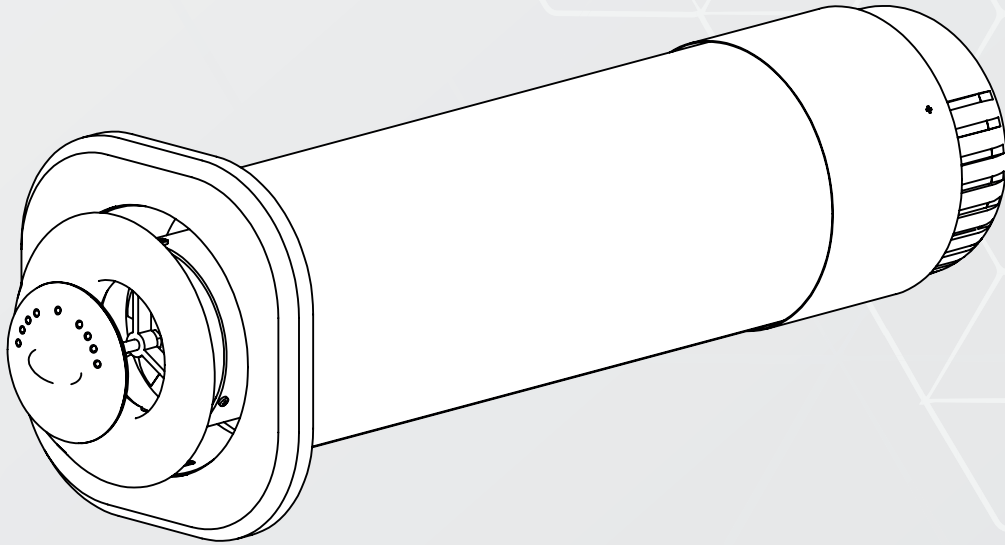


CLIMTEC

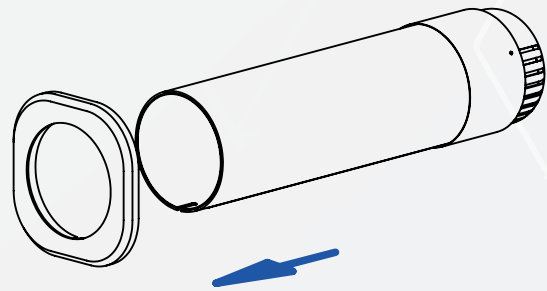
DEVICE LENGTH CHANGE
MANUAL

1. Connection and start-up of units should be carried out by qualified personnel in conditions that comply with current standards, especially when it comes to electrical devices.
2. It is forbidden to turn on the network voltage before connecting the device to all fuses.
3. Repair and adjustment work is prohibited without prior disconnection of the device power supply.
4. The person servicing the device and carrying out repair must have the appropriate qualifications and authorization according to the rules and norms in force in the country where the equipment is operated.
5. The location of the unit must be equipped with the necessary protective equipment that will ensure proper use, as well as all fire-fighting equipment in accordance with local regulations and requirements.
6. Do not allow children to play with the device.
7. Cleaning and maintenance should not be done by children.
8. Without proper qualifications the user should not install, move, disassemble, modify, or repair the ventilation unit independently.
9. There are rotating fans inside the device when it is at work. Avoid foreign objects from entering the device during operation. This can lead to injuries..
10. Make sure that the external air intake is positioned in such a way that smoke or other harmful gases do not enter it. If the incoming air is contaminated, the oxygen quantity and quality indicator in the room may decrease.
11. Do not place heating equipment in the path of air intake by the device. Incomplete combustion products of fuel can lead to an accident.
12. Installation by unqualified personnel can lead to a decrease in system performance, equipment damage, and accidents.
13. In case of connection using a power plug, do not pull the cable when trying to unplug the plug from the socket. The power plug must be securely inserted into the socket. Otherwise, this can lead to electric shock.
14. The connection of the ventilation unit is made using insulated strong conductors (cables, wires) with a cross-section of 0.5-0.75 mm². All electrical wiring must be installed by a qualified electrician in accordance with the relevant Rules.
15. Do not use the device at the temperature of +50°C and above, near open fire, places exposed to smoke, or where it may come into contact with organic solvents. This can lead to ignition.
16. Do not block the supply and exhaust channels, because this will reduce the quality indicators of the ventilation unit and may lead to system shutdown. The ventilation unit is mounted in a hole of the appropriate diameter (depending on the model) with an incline of 3-5° towards the street. Also, the body (excluding the external air intake) should protrude beyond the wall towards the street by 1-2 cm. Failure to comply with this rule may result in condensed moisture entering the room and cause equipment malfunction.
17. In case of damage to the ventilation unit, immediately disconnect the system by an automatic switch or unplug the plug from the socket. Continuing to use the ventilation unit can lead to smoke, fire, electric shock, or injury.
18. The connection of the ventilation unit to the power grid must be done through an automatic switch or using a power plug. The device must be disconnected before performing any maintenance operations (pull the device plug from the socket or turn off the main power switcher and wait for the fans to stop completely).
19. If the air intake is not opened before starting the ventilation unit, this may damage the ventilation unit. Make sure that during mounting, the positions, mechanical, and electrical installation standards in the country where the mounting is carried out are followed.
20. The manufacturer is not responsible for mounting carried out by unqualified specialists (or a group of specialists) and all subsequent consequences associated with this. Improper mounting cancels the warranty service.
21. Do not twist the power cable, damage it, expose it to heat, or place heavy objects on it. This can lead to fire or electric shock. If the power wire is damaged, it should be replaced at a service center or by a qualified person to avoid danger.
22. The ventilation unit is mounted on a sealing or mounting foam (what does not create a deformation effect on ventilation units' body).

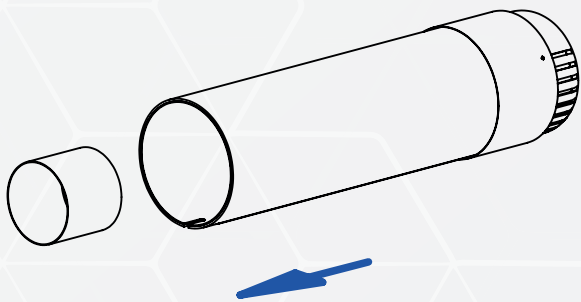
GENERAL VIEW OF THE DEVICE



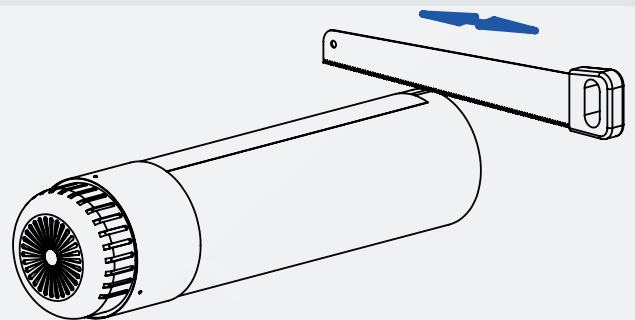
1 Remove the internal module from the device's body by carefully pulling on the middle protruding part of the front panel. Pull on the round part of larger diameter.



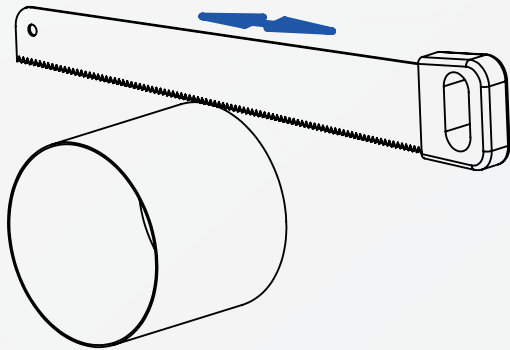
2 Remove the internal decorative flange.



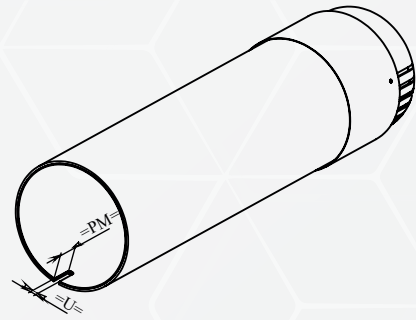
3 Remove the internal pipe.



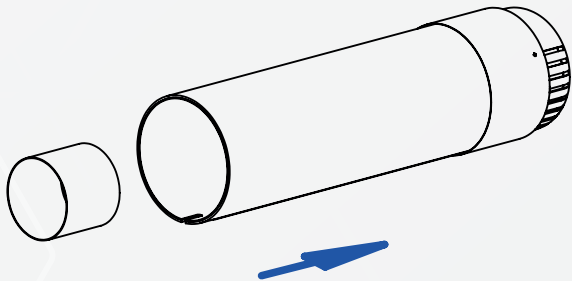
4 Measure the necessary length to be cut on the external pipe of the device. Mark the cutting line and cut the pipe using a manual or electric saw.



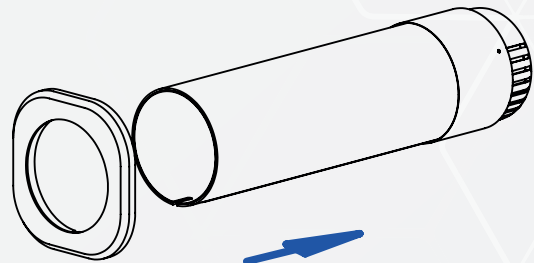
5 Measure the corresponding length on the internal pipe as on the external pipe of the recuperator. Mark the cutting line and cut the internal pipe using a manual or electric saw.



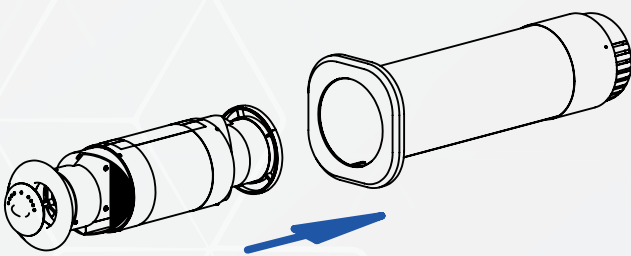
6 Make a die-cut on the external pipe for power cable placement as shown on the picture.
PM=30mm
U=8mm



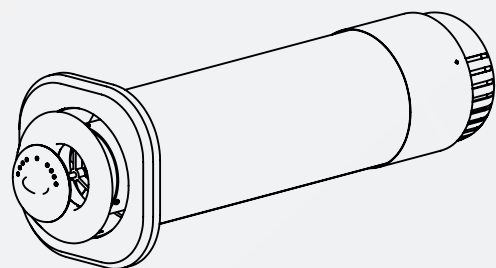
7 Insert the internal pipe inside the external one until it is placed a special socket on external air intake of the device.



8 Install the internal decorative flange in place. The cable entry cuts on the decorative flange and external pipe should align.



9 Insert the internal module inside the external pipe in such a way that the "Climtec" label on the front part of the internal module is strictly horizontal. The external air intake of the ventilation unit is attached to the external pipe and should be installed with the nonperforated part facing upwards (perforated areas should be located on the sides and bottom of the ventilation unit). To ensure that the internal module is fully seated, the gap from the larger diameter ring to the internal flange should not exceed 2-3 cm.



10 The assembled device is ready for further use.

Ukraine
Kharkiv, 23 Serpnya Street 20a,
office 306 "CLIM-TEC" LTD